



TruDrop Planting Guide

Finally, a planter that works for you.

CRESCENT
garden

 TruDrop^{ONE}

Welcome to your new
TruDrop experience

Success Starts Here

With a TruDrop self-watering planter, growing beautiful flowers and healthy edibles has never been easier. We want to thank you for choosing Crescent Garden as your simple solution for growing great plants.

Enjoy!

Table of Contents

Quick Start Guide	6
How does TruDrop work for you?	12
Growing with TruDrop	18
Style Guide	24

Finally, a planter that works for you.

The TruDrop System DNA

Water Level Indicator

Easy to read.

EMPTY



1/3



2/3



FULL



Easy To Fill Hole

Includes cap to avoid water contamination.

Double Wall Construction

Large water reservoir allows plants to go longer without watering.

Mess Free Drain System

Optional quick connect coupling in larger planters facilitates draining planter without spillage.

Can connect directly to hose or pump.



Overflow Drain

When using outdoors, planter is designed to drain excess rain water.

Sealed Bottom

Plug included with planter for indoor use.

Capillary Action

Watering via roots creates healthy plants.



Quick Start Guide

1.

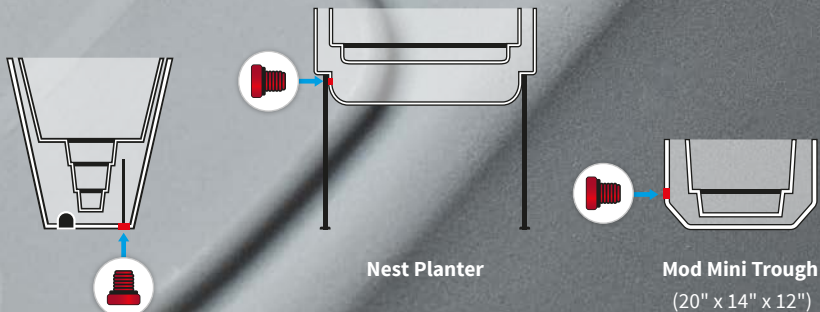
Indoor or outdoor?

For outdoor use remove red plug by unscrewing.

For indoor use, make sure all plugs are securely fastened.

Red plug can be found underneath on most planters, however on our Nest elevated planters and small rectangular Mod planter you will find on the side.

See diagrams below for reference.



Nest Planter

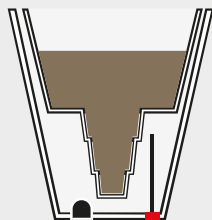
Mod Mini Trough

(20" x 14" x 12")

2.

Plant:

Fill planter with a good quality potting mix. Leave enough space so that once you add your plants, the top of the root ball is approximately 1 1/2 inches (4 cm) from the top. Add plants and additional mix until full.



3. Water:

Water the container thoroughly from the top. For best results, mix in a water soluble fertilizer.



Remove cap from intake hole and slowly continue filling the container via the latter, until indicator reads full.



Empty



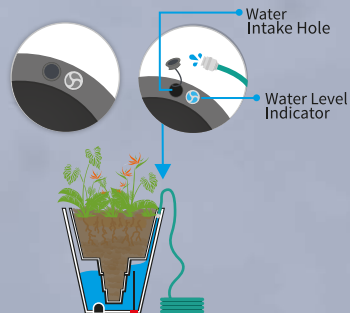
1/3



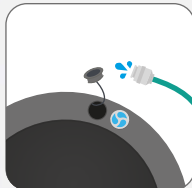
2/3



Full



Note: When planting indoors, add water until the three dots appear. Since the overflow drain is now plugged, overfilling reservoir can cause plants to flood.



4.

Grow:

Initially, monitor the water level indicator every week.

Ideal water frequency will vary depending on plant species, location of planter and weather conditions. After initial watering, add water only through the intake hole unless watering with a foliar feed.



Winter Conditions:

If you are using the planter outdoors, be sure to drain it out during months exposed to freezing temperature.



How does TruDrop
work for you?



Easy

- Built-in system - no assembly required.
- Water level indicator takes the guessing out of when and how much to water.
- Empty planters are lightweight for easy portability.
- Less work with less watering.





- Apt for growing food
- Fully enclosed water supply keeps out pests.

Safe





Success

- Watering from the bottom up lets your plants take only the amount of water they need and lowers the risk of fungus and disease.
- The built-in overflow drain allows for outdoor planters to safely weather rain showers.





Efficient

- Trudrop system planters work with you to protect our environment.



MANUFACTURING

Responsible manufacturing is always in our fundamentals: efficient, safe, environmentally aware and always considering the impact on our communities.



100% RECYCLABLE

Using materials that are 100% recyclable and easy to re-use is important.



DISTRIBUTION

Our products are lightweight and unbreakable requiring less energy and packaging for transportation.



AT HOME

Fully enclosed system saves water and diminishes fertilizer run-off.



- Indoor and outdoor use.
- Designs for every style.
- Useful for growing a wide variety of plants from edibles to ornamentals.

Versatile



Growing with TruDrop



Planting tips

Water all plants before adding them in your planter, especially if planting multiple planters or planting in hot weather.

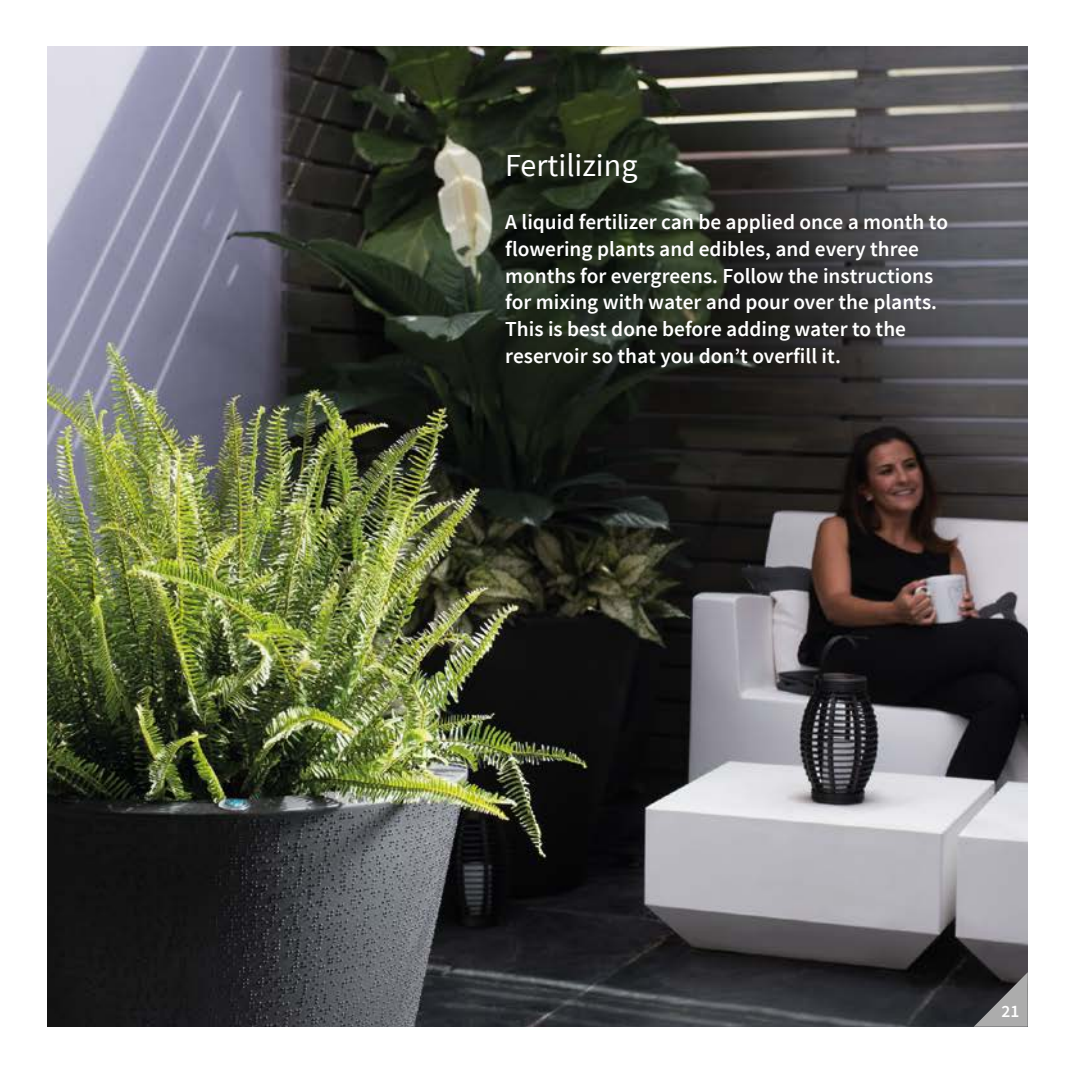
To remove plants from growing containers squeeze several times and turn sideways to gently loosen the plant from the container. Once removed be sure to use fingers or hand trowel to loosen the soil around the roots before placing in the planter.



Good soil matters

Choose a good quality container potting mix. The soil should be light and fluffy for good aeration (products like vermiculite or perlite), have moisture retention (products like coir or peat moss), compost (for nutrient retention, minerals, and soil structure), slow release fertilizer, and some type of forest (wood) product.

Only fill with potting mix. Use of gravel or other medium could affect performance of TruDrop system.



Fertilizing

A liquid fertilizer can be applied once a month to flowering plants and edibles, and every three months for evergreens. Follow the instructions for mixing with water and pour over the plants. This is best done before adding water to the reservoir so that you don't overflow it.

Changing out plants

When seasonally replanting, drain the water reservoir from your Trudrop planter before removing all plant material and potting mix from the planter.

Once drained, the reservoir can be cleaned with just clear water or alternatively a solution of 1/2 cup hydrogen peroxide to 1 gallon of water can be used. To use the latter, return the drain plug to its position, fill with the solution, swish the liquid around the planter and let sit for 30 minutes, then unplug and rinse with clear water.



Draining

The white drain cap should remain screwed into the planter except for yearly rinsing or for draining in winter. The water reservoir should not be used during seasons of freezing temperatures.

Drain plugs may not be available on smallest planters. Seasonal draining can be easily accomplished after removing potting material, then removing the water intake plug on the top of the planter and turning the planter upside down to drain.



Mess free drain system:

The optional quick connect coupling on large planters facilitates drainage without spillage. Using the quick coupler allows you to connect directly to a hose so that reservoir can be emptied out away from the planter in a safer area. The female end of the quick coupler closes when disconnected, acting as the drainage plug, and can remain in the planter year-round.



Style Guide



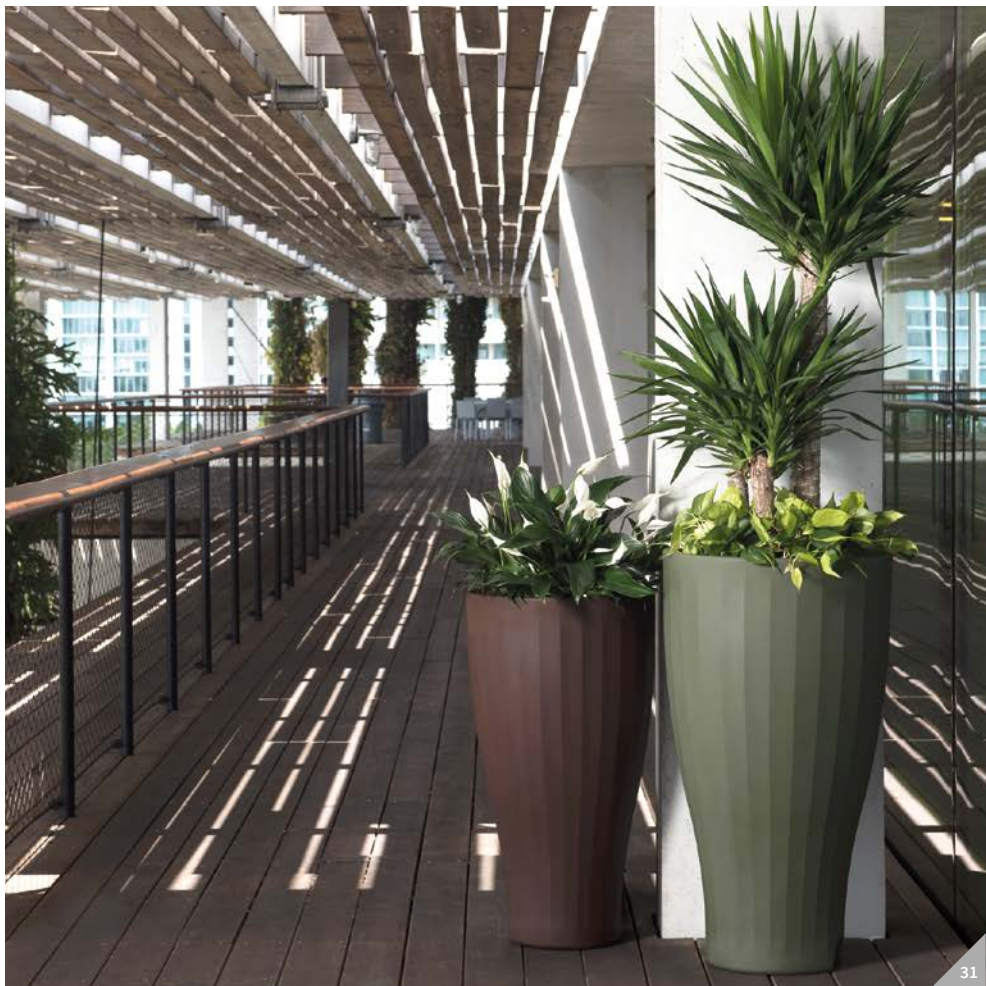












RESTA



URANT & BAR





CRESCENT
garden

 TruDrop ONE

We love to see gardens grow,
share your stories with us
or connect to ask us for advice.

 /CrescentGardens

 /CrescentGarden

 /CrescentGarden

 /CrescentGarden

TruDrop Planters patent information: <https://www.crescentgarden.com/pat/>